



Rifle Mounts

Compatible with:
Digisight / Digisight Ultra / Apex / Trail

WEAVER

Rifle Mount



SKU: 79045

Description:

Weaver mount is designated for installation of riflescope on hunting weapons equipped with Weaver or Picatinny rails. The front part of the mount has a transverse stopper (pin) that prevents shifting of riflescope during the recoil. The pin is removable bilateral; its position is defined depending on what rail (Weaver or Picatinny) the riflescope is mounted.

Main parameters:

- Total mount length, mm: 173
- Length of mounting part, mm: 112
- Distance between the centers of locking screws, mm: 87



WEAVER QD112

Rifle Mount

SKU: 79127



Description:

Quick-release Weaver QD112 mount is designated for installation of riflescope on hunting weapons equipped with Weaver or Picatinny rails. The front part of the mount has a transverse stopper (pin) that prevents shifting of riflescope during the recoil. The pin is removable bilateral; its position is defined depending on what rail (Weaver or Picatinny) the riflescope is mounted.

Main parameters:

- Total mount length, mm: 204
- Length of mounting part, mm: 148
- Distance between the centers of locking screws, mm: 112



WEAVER SQD

Rifle Mount

SKU: 79177



Description:

Quick-release mount. It is designed to mount sight on hunting weapons equipped with Weaver or Picatinny rails. The mount has a reliable pin locking system to prevent accidental opening. Weaver SQD locking mechanisms are secured by locking screws so the mount withstands intensive operation – multiple cycles of removing and installing, vibration and shock loading during firing, the accumulated effect of a large number of shots – including complete repeatability of mounting the sight with the mount on the rail, maintaining the point of impact (adjusting) and accuracy of fire. The front part of the mount has a transverse stopper (pin) that prevents shifting of riflescope during the recoil. The pin is removable bilateral; its position is defined depending on what rail (Weaver or Picatinny) the riflescope is mounted.



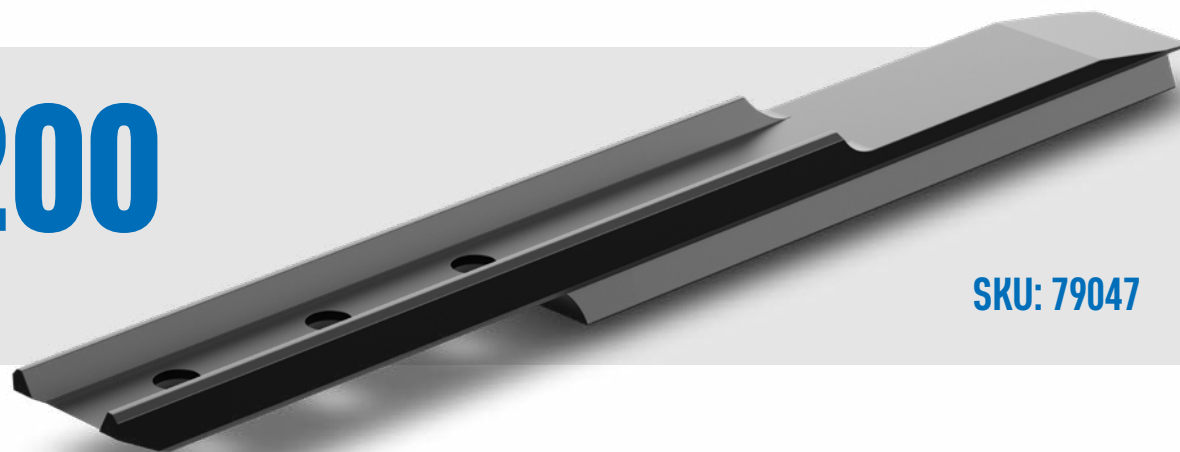
Main parameters:

- Total mount length, mm: 204
- Length of mounting part, mm: 148
- Distance between the centers of locking screws, mm: 112

PRISM 14/200

Rifle Mount

SKU: 79047



Description:

Rifle mount Prism 14/200 ("Europrism") is a universal base for placing mounts of different manufacturers including EAW (Apel), Blaser, MAK and others.

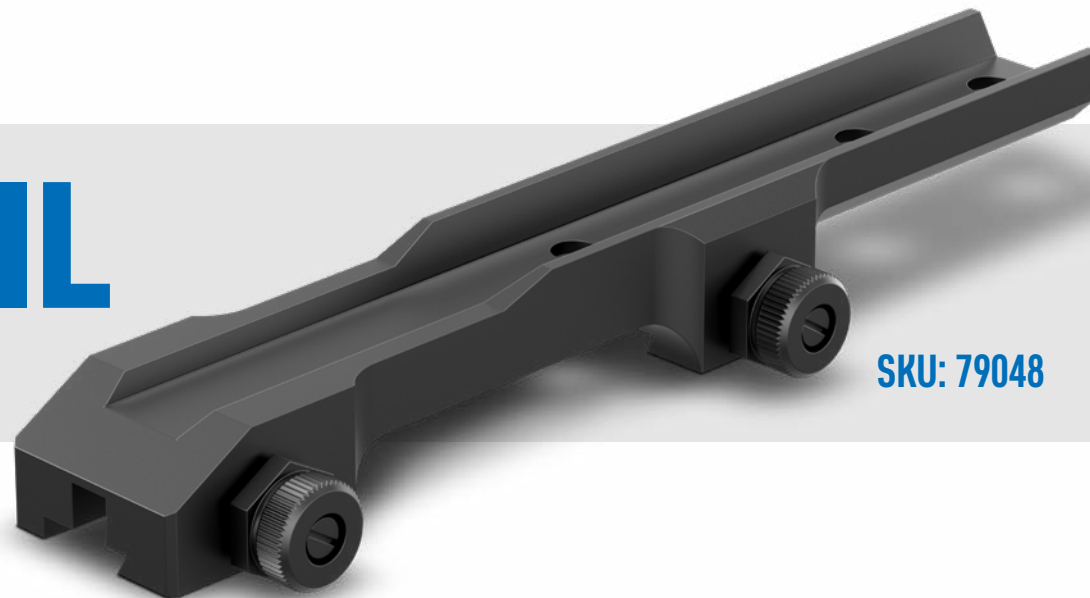
Main parameters:

- Total mount length, mm: 275
- Length of mounting part, mm: 127



LOS/DOVETAIL

Rifle Mount



SKU: 79048

Description:

Rifle mount Los/Dovetail allows installation of riflescopes on carbines "Los 7-1", "Los 4", "Bars 4-1" and other weapons manufactured in Russia and Europe, that have upper mount "dovetail". It cannot be installed on carbines "Los 9".

Main parameters:

- Total mount length, mm: 173
- Length of mounting part, mm: 112
- Distance between the centers of locking screws, mm: 87
- Can be installed on the "dovetail" rail with a maximum width, mm: 14,5



CZ550

Rifle Mount



SKU: 79129

Description:

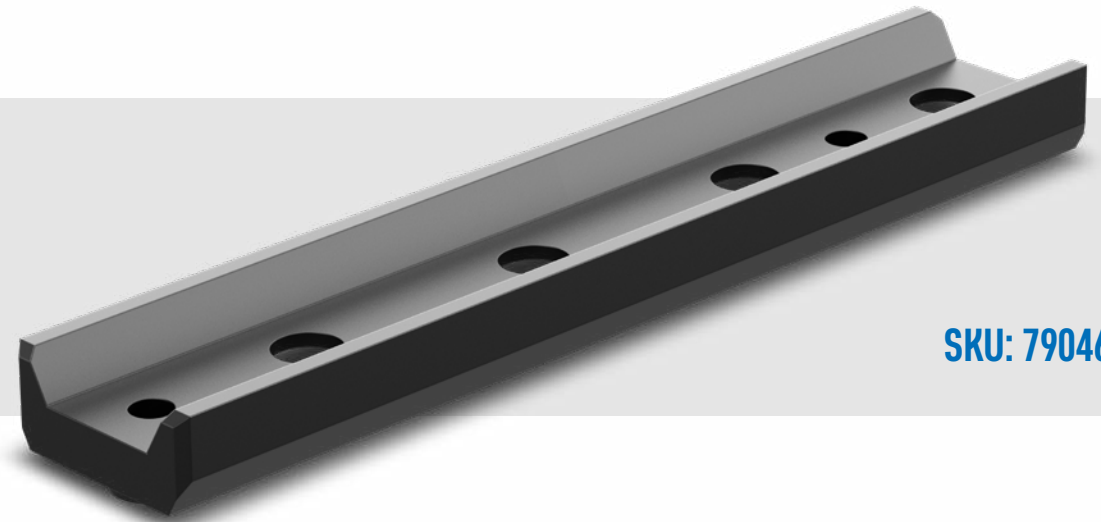
Quick-release mount. Allows installation of riflescopes on carbine CZ-550.

Main parameters:

- Total mount length, mm: 204
- Length of mounting part, mm: 145
- Distance between the centers of locking screws, mm: 120



MAK Adapter



SKU: 79046

Description:

MAK adaptor allows to equip the riflescopes with a monoblock mounts MAK (MAK Milmont, MAR Flex and others) for further installation on the weapon.



AK SIDE

Rifle Mount

SKU: 79049

Description:

The AK Side Rifle Mount allows to mount thermal and digital riflescopes on Soviet and Russian-made weapons equipped with a dovetail side rail, including Sajga, Tigr, Vepr carbines, etc.



INSTALLATION OF MOUNT

Before using the riflescope you need to install a mount. The mounting holes in the base of Pulsar riflescopes enable the mount to be installed in one of multiple positions. This choice helps the user to ensure the most suitable position of the riflescope on a rifle depending on rifle type.

- Attach the mount to the base of the riflescope using a hex-nut wrench and screws. The mounts can be attached using either two, three or four screws, depending on the selected mount position (examples of the possible options are presented on the picture)
- Mount the riflescope on the rifle and check if the position is suitable for you.
- Remove the riflescope, unscrew the screws halfway, apply some thread sealant onto the thread of the screws and tighten them fully (do not overtighten). Let the sealant dry for a while. Suggested tightening force is 2 Nm.
- The riflescope is ready to be installed on the rifle and to be zeroed.

