



# LEICA Magnus (non illuminated)

## Technical data



Riflescope	Leica Magnus 1.5 – 10x42	Leica Magnus 1.8 – 12x50
Package includes	riflescope caps for front lens/eyepiece, cleaning tissue, battery	riflescope caps for front lens/eyepiece, cleaning tissue, battery
Front lens diameter	42 mm	50 mm
Magnification	1.5 – 10x	1.8 – 12x
Zoom	6.7x	6.7x
Field of view at max. magnification (m/100 m)	4.4 yds / 4.1 m	4.0 yds / 3.7 m
Field of view at min. magnification (m/100 m)	28.4 yds / 26 m	24.6 yds / 22.5 m
Eye relief	> 3.5 in / 90 mm	> 3.5 in / 90 mm
Exit pupil	4.2 - 12.4 mm	4.2 - 12.4 mm
Parallax	100 m	--
Diopter compensation	-4/+3 dpt	-4/+3 dpt
Coating	AquaDura® lens coating	AquaDura® lens coating
Transmission	92%	92%
Mounting option	1.18 in / 30 mm tube / Zeiss internal rail	1.18 in / 30 mm tube / Zeiss internal rail
Impact point correction	1 click = 1 cm/100 m ( $\approx$ 1/3 MOA), 150 x140 cm	1 click = 1 cm/100 m ( $\approx$ 1/3 MOA), 150 x140 cm
Front lens filter thread	M46x0.75 mm	M52x0.75 mm
Length	12.5 in / 317 mm	13.9 in / 335 mm
Weight	20.5 oz / 580 g	22.9 oz / 650 g
Waterproof	waterproof to 13.1 ft / 4 m; nitrogen-filled	waterproof to 13.1 ft / 4 m; nitrogen-filled
Available reticles	L-4a, L-Plex, L-Ballistic	L-4a, L-Plex, L-Ballistic
Reticle illumination	no	no
<b>Order No. (Reticle non illuminated)</b>		
L-4a / with rail	53200	54200
L-4a with BDC / with rail	53203	54203
L-Plex / with rail	53300	54300
L-Plex with BDC / with rail	53303	54303
L-Ballistic / with rail	53400	54400
L-Ballistic with BDC / with rail	53403	54403



# LEICA Magnus (non illuminated)

## Technical data

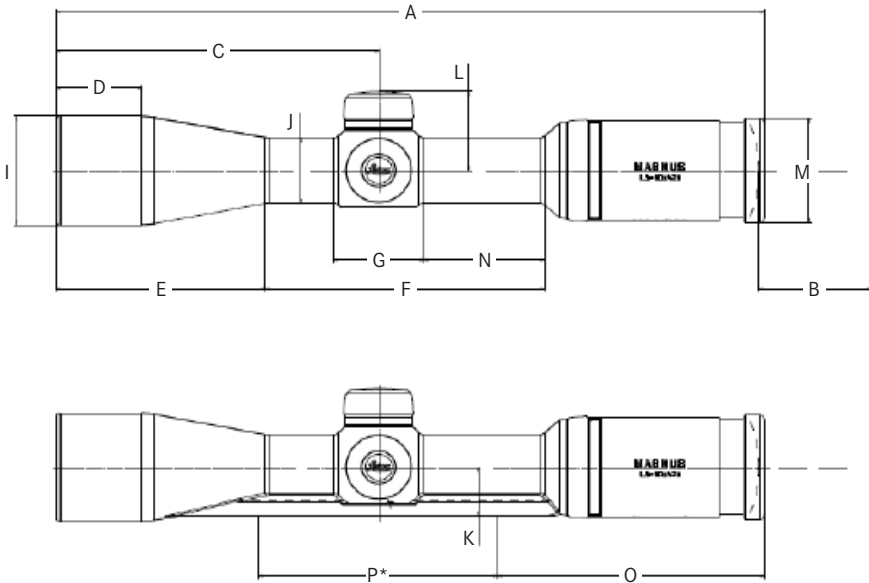


Riflescope	Leica Magnus 2.4 – 16x56
Package includes	riflescope caps for front lens/eyepiece, cleaning tissue, battery
Front lens diameter	56 mm
Magnification	2.4 – 16x
Zoom	6.7x
Field of view at max. magnification (m/100 m)	2.8 yds / 2.6 m
Field of view at min. magnification (m/100 m)	28.4 yds / 17 m
Eye relief	> 3.5 in / 90 mm
Exit pupil	3.5 - 12.4 mm
Parallax	adjustable, 50 m to infinity
Diopter compensation	-4/+3 dpt
Coating	AquaDura® lens coating
Transmission	92%
Mounting option	1.18 in / 30 mm tube / Zeiss internal rail
Impact point correction	1 click = 1 cm/100 m ( $\approx 1/3$ MOA), 150 x140 cm
Front lens filter thread	M58 x0.75 mm
Length	14.2 in / 360 mm
Weight	25.9 oz / 735 g
Waterproof	waterproof to 13.1 ft / 4 m; nitrogen-filled
Available reticles	L-4a, L-Plex, L-Ballistic
Reticle illumination / type	no
<b>Order No. (Reticle non illuminated)</b>	
L-4a / with rail	55200
L-4a with BDC / with rail	55203
L-Plex / with rail	55300
L-Plex with BDC / with rail	55303
L-Ballistic / with rail	55400
L-Ballistic with BDC / with rail	55403



# LEICA Magnus (non illuminated)

## Dimensions



	Leica Magnus 1.5 – 10x42	Leica Magnus 1.8 – 12x50	Leica Magnus 2.4 – 16x56
A	316 mm	333 mm	360 mm
B	91 mm	91 mm	91 mm
C	144 mm	161 mm	188 mm
D	38 mm	54 mm	59 mm
E	93 mm	103 mm	122 mm
F	125 mm	132 mm	140 mm
G	40 mm	40 mm	40 mm
I	50 mm	57 mm	62 mm
J	30 mm	30 mm	30 mm
K	23 mm	23 mm	23 mm
L	36 mm	36 mm	31 mm
M	48 mm	48 mm	48 mm
N	54 mm	54 mm	54 mm
O	119 mm	119 mm	119 mm
P*	107 mm	111 mm	115 mm

\*useful rail length