



LEICA Amplus 6

Technical data



| Riflescope | Leica Amplus 6 1-6 x 24 i | Leica Amplus 6 3-18 x 44 i |
|---|---|---|
| Package includes | Cleaning tissue, battery, safety instructions | Cleaning tissue, battery, safety instructions |
| Front lens diameter | 24 mm | 42 mm |
| Magnification | 1 – 6 x | 3 – 18 x |
| Zoom | 6.3x | 6.7x |
| Field of view at 100 m (min. up to max. magnification) | 38 m up to 6.3 m | 12-4 m up to 2.1 m |
| Eye relief | > 3.5 in. / 90 mm | > 3.5 in. / 90 mm |
| Exit pupil | 12,2 - 4,2 mm | 7.3 - 2.4 mm |
| Parallax-free | 100 m | adjustable, 20 m to infinity |
| Diopter compensation | -3/+2 dpt | -3/+2 dpt |
| Coating | AquaDura® lens coating | AquaDura® lens coating |
| Transmission | > 90 % | > 90 % |
| Focal plane reticle | 2nd focal plane | 2nd focal plane |
| Available reticles | L-4a | Ballistic |
| Reticle adjustment (100 m) | 300 x 300 cm | 230 x 230 cm |
| Impact point correction (100 m) | 1 cm / 0.1 Mil / 0.1 Mrad | 1/4 MoA |
| Reticle illumination | dot | dot |
| Size illuminated dot (10x magnification) | 0.7 cm / 100m | 0.7 cm / 100m |
| Light levels | 10 | 10 |
| Central tube diameter | 30 mm | 30 mm |
| Mounting option | rings | rings |
| Front lens filter thread | M28 x 0.6 mm | |
| Length (without sunshade) | 10.7 in / 272 mm | 12.5 in / 317 mm |
| Weight | 16.9 oz / 480 g | 23.6 oz / 670 g |
| Waterproof | up to 13.1 ft / 4 m water depth (nitrogen-filled) | up to 13.1 ft / 4 m water depth (nitrogen-filled) |
| Battery | 1 x CR2032 | 1 x CR2032 |
| Order No. (Reticle) | | |
| L-4a | 50100 | -- |
| L-4a BDC | -- | -- |
| Ballistic (MoA) BDC (MoA) | -- | 50211 |
| Ballistic (BDC) | -- | -- |



LEICA Amplus 6

Technical data

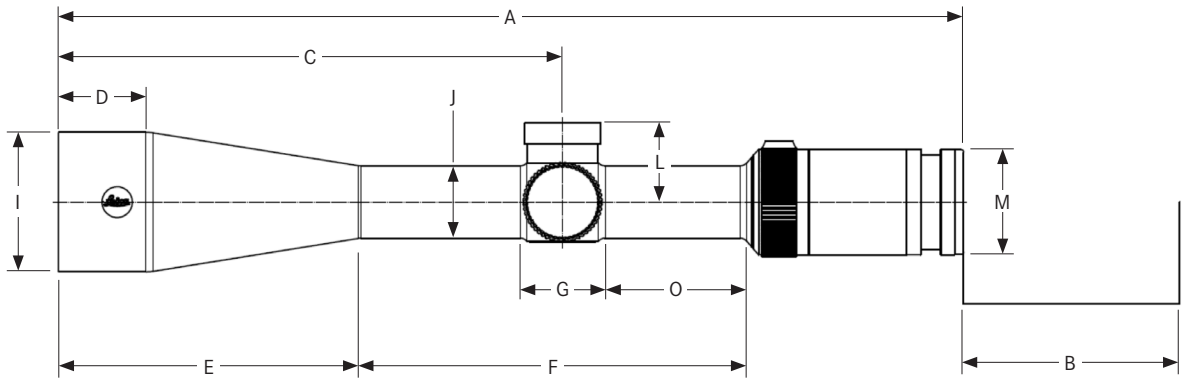


| Riflescope | Leica Amplus 6 2.5- 15 x 50 i | Leica Amplus 6 2.5- 15 x 56 i |
|---|---|---|
| Package includes | Cleaning tissue, battery, safety instructions | Cleaning tissue, battery, safety instructions |
| Front lens diameter | 50 mm | 56 mm |
| Magnification | 2,5 - 15 x | 2,5 - 15 x |
| Zoom | 6 x | 6 x |
| Field of view at 100 m (min. up to max. magnification) | 15 m up to 2.8 m | 14.8 m up to 2.5 m |
| Eye relief | > 3.54 in. / >90 mm | > 3.54 in. / >90 mm |
| Exit pupil | 11.6 - 3.4 mm | 11.6 - 3.7 mm |
| Parallax-free | adjustable, 20 m to infinity | adjustable, 21.9 yds / 20 m to infinity |
| Diopter compensation | -3/+2 dpt | -3/+2 dpt |
| Coating | AquaDura® lens coating | AquaDura® lens coating |
| Transmission | > 90 % | > 90 % |
| Focal plane reticle | 2nd focal plane | 2nd focal plane |
| Available reticles | L-4a, Ballistic | L-4a, Ballistic |
| Reticle adjustment (100 m) | 150 x 150 cm | 180 x 180 cm |
| Impact point correction (100 m) | 1 cm / 0,1 Mil / 0.1 Mrad | 1 cm / 0,1 Mil / 0.1 Mrad |
| Reticle illumination | dot | dot |
| Size illuminated dot (10x magnification) | 0.7 cm / 100m | 0.7 cm / 100m |
| Light levels | 10 | 10 |
| Central tube diameter | 30 mm | 30 mm |
| Mounting option | rings | rings |
| Front lens filter thread | M 58 x 0.6 mm | M 62 x 0.6 mm |
| Length (without sunshade) | 14.9 in / 380 mm | 14.9 in / 380 mm |
| Weight | 24.7 oz / 700 g | 28.7 oz / 730 g |
| Waterproof | up to 13.1 ft / 4 m water depth (nitrogen-filled) | up to 13.1 ft / 4 m water depth (nitrogen-filled) |
| Battery | 1 x CR2032 | 1 x CR2032 |
| Order No. (Reticle) | | |
| L-4a | 50300 | 50400 |
| L-4a BDC | 50310 | 50410 |
| Ballistic (MoA) BDC (MoA) | -- | -- |
| Ballistic (BDC) | 50311 | 50411 |



LEICA Amplus 6

Dimensions



| | Leica Amplus 6 1-6x24 i | Leica Amplus 6 3-18x44 i | Leica Amplus 6 2.5-15x50 i | Leica Amplus 6 2.5-15x56 i |
|---|-------------------------|--------------------------|----------------------------|----------------------------|
| A | 258 mm | | 378 mm | 376 mm |
| B | 90 mm | | 90 mm | 90 mm |
| C | 98 mm | | 210 mm | 208 mm |
| D | -- | | 36,5 mm | 42 mm |
| E | -- | | 125 mm | 134 mm |
| F | E+F: 165 mm | | 162 mm | 152 mm |
| G | 35 mm | | 35 mm | 35 mm |
| I | 30 mm | | 58 mm | 65 mm |
| J | 30 mm | | 30 mm | 30 mm |
| L | 33 mm | | 33 mm | 33 mm |
| M | 44 mm | | 44 mm | 44 mm |
| O | 50 mm | | 59 mm | 59 mm |