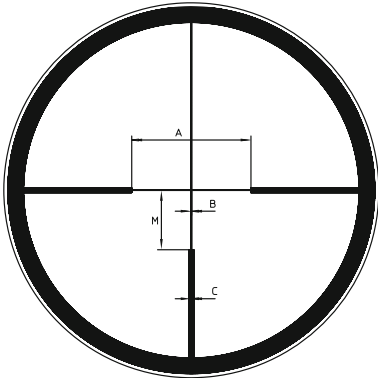


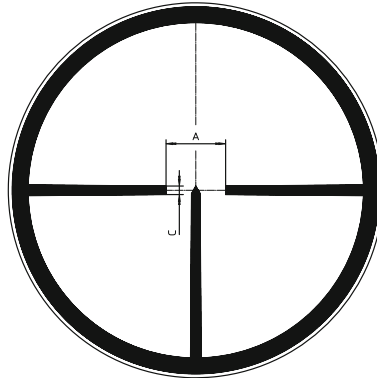


LEICA ER

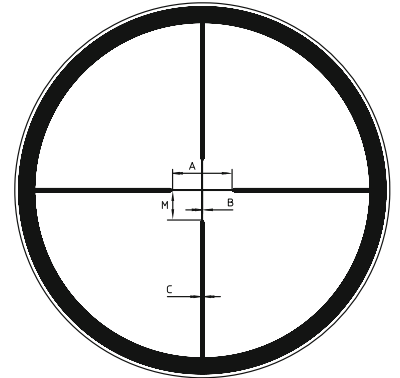
Reticle dimensions



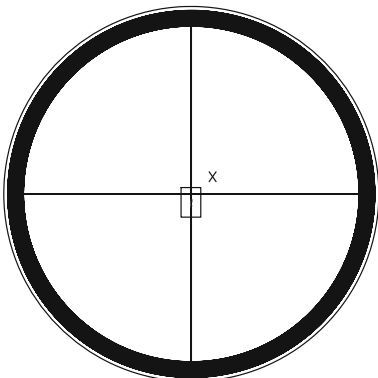
#4A



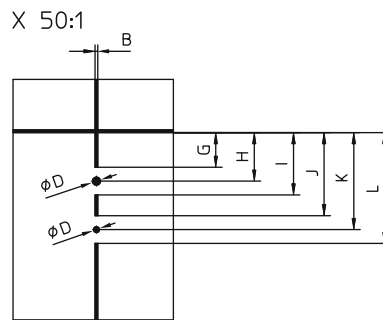
#1



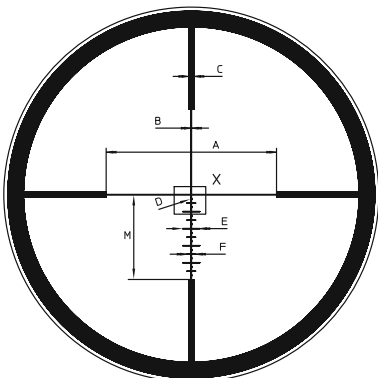
Plex



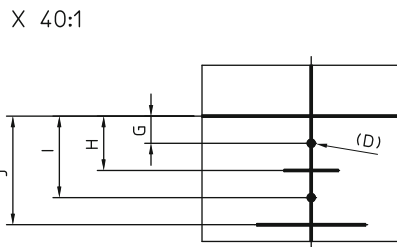
CDD



CDD



Ballistic



Ballistic

(Tables with dimensions on page 2 and 3)



Reticle dimensions in MOA

Reticle		Reticle 2.5 – 10 × 42					Reticle 3.5 – 14 × 42					
		4A	1	Plex	CDD	Ballistic	4A	1	Plex	CDD	Ballistic	
Distance between posts	A	min.	193.7	96.5	96.5	0.0	276.5	137.9	68.9	68.9	0.0	197.3
		max.	48.3	24.1	24.1	0.0	68.9	34.5	17.2	17.2	0.0	49.2
Cross-hair Sub-tension	B	min.	0.8	-	0.55	0.55	0.6	0.6	-	0.4	0.4	0.4
		max.	0.2	-	0.14	0.14	0.1	0.1	-	0.1	0.1	0.1
Post Sub-tension	C	min.	8.3	13.8	5.5	-	8.3	5.9	9.7	4.0	-	5.9
		max.	2.1	3.4	1.4	-	2.1	1.4	2.4	1.0	-	1.5
Dot Sub-tension	D	min.	-	-	-	1.6/1.2	2.1	-	-	-	1.1/0.9	1.5
		max.	-	-	-	0.4/0.3	0.5	-	-	-	0.3/0.2	0.4
Stadia Line Width	E	min.	-	-	-	-	27.6	-	-	-	-	19.7
		max.	-	-	-	-	6.9	-	-	-	-	4.9
Stadia Line Width	F	min.	-	-	-	-	13.8	-	-	-	-	9.9
		max.	-	-	-	-	3.4	-	-	-	-	2.4
Dot to Horizontal Cross Hair Distance*	G	min.	-	-	-	6.9	6.9	-	-	-	4.8	4.9
		max.	-	-	-	1.7	1.7	-	-	-	1.2	1.2
Post distance*	H	min.	-	-	-	9.7	13.8	-	-	-	6.9	9.9
		max.	-	-	-	2.4	3.4	-	-	-	1.7	2.4
Dot to Horizontal Cross Hair Distance*	I	min.	-	-	-	12.4	20.7	-	-	-	9.0	14.8
		max.	-	-	-	3.1	5.2	-	-	-	2.2	3.7
Post distance*	J	min.	-	-	-	16.5	27.6	-	-	-	11.7	19.8
		max.	-	-	-	4.1	6.9	-	-	-	3.0	4.9
Post distance	K	min.	-	-	-	19.3	-	-	-	-	13.8	-
		max.	-	-	-	4.8	-	-	-	-	3.4	-
Post distance	L	min.	-	-	-	22.1	-	-	-	-	15.9	-
		max.	-	-	-	5.5	-	-	-	-	3.9	-
Post distance**	M	min.	97.0	-	48.3	-	138.3	69.0	-	34.5	-	98.7
		max.	24.2	-	12.0	-	34.5	17.3	-	8.2	-	24.6

* a) Every dot is .5 mils from the line immediately above or below it, and vice versa: every line is .5 mils from the dot immediately above or below it.

b) Every stadia line (short or long) is 1 mil from the next (dissimilar) one above or below it.

c) Every stadia line (short or long) is 2 mils from the next (similar) one above or below it.

** .1 MILS/cm per 100 m



Reticle dimensions in millimeters

Reticle		Reticle 2.5 – 10 × 42					Reticle 3.5 – 14 × 42					
		4A	1	Plex	CDD	Ballistic	4A	1	Plex	CDD	Ballistic	
Distance between posts	A	min.	562	280	280	-	802	400	200	200	-	572.5
		max.	140	70	70	-	200	100	50	50	-	142.7
Cross-hair Sub-tension	B	min.	2.4	-	1.6	1.6	1.6	1.7	-	1.1	1.1	1.1
		max.	2.6	-	0.4	0.4	0.4	0.4	-	0.3	0.3	0.3
Post Sub-tension	C	min.	24	40	16	-	24	17	28	11.5	-	17.2
		max.	6	10	14	-	6	4.2	7	3	-	4.3
Dot Sub-tension	D	min.	-	-	-	4.6/3.4	6	-	-	-	3.3/2.5	4.3
		max.	-	-	-	1.2/0.9	1.5	-	-	-	0.8/0.6	1.1
Stadia Line Width	E	min.	-	-	-	-	80	-	-	-	-	57.2
		max.	-	-	-	-	20	-	-	-	-	14.3
Stadia Line Width	F	min.	-	-	-	-	40	-	-	-	-	28.7
		max.	-	-	-	-	10	-	-	-	-	7.1
Dot to Horizontal Cross Hair Distance*	G	min.	-	-	-	20	20	-	-	-	14	14.3
		max.	-	-	-	5	5	-	-	-	3.6	3.6
Post distance*	H	min.	-	-	-	28	40	-	-	-	20	28.7
		max.	-	-	-	7	10	-	-	-	5	7.1
Dot to Horizontal Cross Hair Distance*	I	min.	-	-	-	36	60	-	-	-	26	43
		max.	-	-	-	9	15	-	-	-	6.4	10.7
Post distance*	J	min.	-	-	-	48	80	-	-	-	34	57.4
		max.	-	-	-	12	20	-	-	-	8.6	14.2
Post distance	K	min.	-	-	-	56	-	-	-	-	40	-
		max.	-	-	-	14	-	-	-	-	10	-
Post distance	L	min.	-	-	-	64	-	-	-	-	46	-
		max.	-	-	-	16	-	-	-	-	11.4	-
Post distance**	M	min.	281	-	190	-	401	200	-	100	-	286
		max.	70	-	35	-	100	50	-	25	-	71

* a) Every dot is .5 mils from the line immediately above or below it, and vice versa: every line is .5 mils from the dot immediately above or below it.

b) Every stadia line (short or long) is 1 mil from the next (dissimilar) one above or below it.

c) Every stadia line (short or long) is 2 mils from the next (similar) one above or below it.

** mils/100 meters