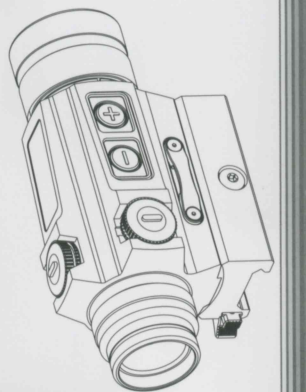


Circle Dot Sight User's Manual

Multi Reticle



Solar Powered www.holosun.com

Thank you for purchasing the INFINITI HS502C-U Circle Dot sight, which is a monocular circle dot sight. Please read the User's Manual carefully.

Features

- 1. Covert aiming:** When aiming, the red dot is projected within the sight so no light can be detected by the target. Unlike a laser sight that appears as a dot that can be seen on and by the target.
- 2. Full field of view for target acquisition:** The user can gain rapid target acquisition and situational awareness while aiming with both eyes open.
- 3. Solar power supply:** The device operates by solar power (silicon solar cell). Power is ready for use at all times. Under daylight conditions, LED can be powered by solar cell.
- 4. Dual power supply design:** Sight will switch to battery supply if there is not enough light for solar operation.
- 5. Low power consumption:** Only a few micro-amperes of current are required for sight operation. Sight runs on one battery for up to 10,000 hours. When battery replacement is required, the battery compartment access through the battery tray.
- 6. Parallax free optical system:** Parallax is $\leq \pm 1$ MOA.
- 7. Brightness adjustment:** There are 12 settings for the brightness of the reticle so as to match the ambient lighting conditions.

1

Important notices

1. Ensure that the firearm is completely unloaded and safe before device installation, sighting in, installing a new battery, or any other adjustment.
2. Always ensure that the muzzle of the firearm is pointed in a safe direction when replacing the battery.
3. Please keep the packaging should you need to make a warranty claim.

Battery

1. Operates with dual power supply (solar cell and internal battery). The operating voltage for this device is DC3V using one high quality CR2032 Lithium battery included with purchase.
2. The high quality battery can power the device for up to 10,000 hours. Caution: The battery is not rechargeable.
3. Battery replacement:

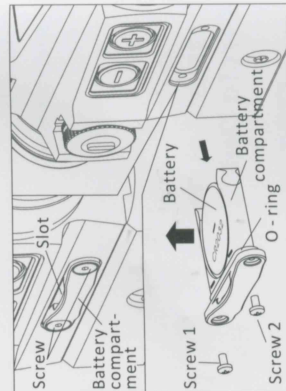


Fig 2-1

3

Multi Reticle



The aiming pattern of this device is a central red dot rounded with a four-point-positioned cycle, the Diameter of the aiming cycle range at 100 meters is approximately 170centimeter.

The cycle can be deleted / resumed, as the user hopes, by long pressing "-" button for 3 seconds.

Model



Fig1 INFINITI HS502C-U
Circle Dot sight

2

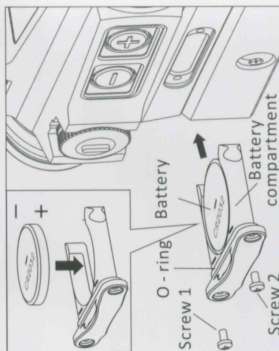


Fig 2-2

- 1) Removing the battery (Fig 2-1):
 - a) Loosen screws 1,2.
 - b) Insert coin or similar object in the battery tray slot, pry out the battery tray, and remove the discharged battery by lifting it up.
- 2) Battery installation (Fig2-2):
 - a) Insert the battery into the battery tray by pushing it down with the correctly marked polarities, "+" and "-".
 - b) Insert and press the tray into the battery compartment.
 - c) Tighten screws 1,2.

Caution: The loss or damage of O-ring will cause the water leaking into compartment and may damage electronic circuits and the device.

Installation

1. The mount bracket is adaptable to the arms with Picatinny Rail, if the arms have no Picatinny rail, or with other types of rail, please contact a qualified gunsmith.

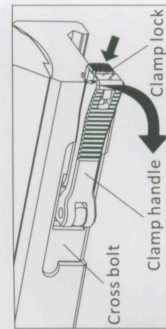


Fig3

4

8. Calibration screw embedded protection.

9. Push button operation: Reduced obstruction of vision.

10. Quick release mount: Adaptable to Picatinny rail.

11. Waterproof: IP67

Multi Reticle



The aiming pattern of this device is a central red dot rounded with a four-point-positioned cycle, the Diameter of the aiming cycle range at 100 meters is approximately 170centimeter.

The cycle can be deleted / resumed, as the user hopes, by long pressing "-" button for 3 seconds.

Model



Fig1 INFINITI HS502C-U
Circle Dot sight

2

2. Designed with our patented nonlinear cam clamping system, no tools are required for attaching to a rail. Push locking button, lift up handle to loosen the locking bar. To mount sight on rail, push the handle down, locking button will automatically engage. The installation is complete.(see fig 3)

3. Initial installation

For the first installation, you may feel the clamp too tight such that the handle cannot be pushed down or too loose. Adjust clamp bolt if it cannot be clamped tightly on rail , you need to make a small adjustment of the clamp. The following are the adjustment steps:
 1) There is one Torx socket at the end of clamp adjusting bolt on the side of the mount. (See Fig 4) Before installation, loosen the screw to release clamp using included Torx wrench, and then.
 2) Pull up the cam clamp handle. Slide the sight into rail and close the clamp handle.

3) Tighten the clamp adjusting bolt using the Torx wrench. This will tighten the clamp to the rail to moderate degree. Try to pull up and close the clamp handle, adjusting the clamp screw appropriately, neither too tight nor too loose. This will avoid the mount becoming loose under recoil.

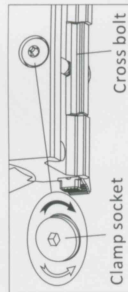


Fig4

5

Sight operation

- Switch on:** Press and release either brightness button ("+" or "-") to turn on the sight.
- Power off:** Press the "+" and "-" buttons simultaneously will turn the power and motion sensor off.
- Operation mode:** Two operation modes are available; Auto mode and manual mode.
 - Auto mode (default)** - with solar cell and internal battery two-way power supply: Based upon the ambient lighting level, the sight will switch between battery and solar cell power automatically for operation in all lighting conditions.
Auto mode operation:
 - Sight is always in auto mode unless specifically switched to manual mode.
 - While in auto mode, the brightness of the reticle is automatically adjusted to match ambient lighting. The brighter it is, the higher the dot intensity.

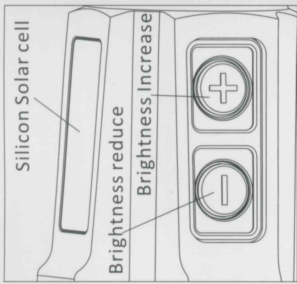
6

c) If lighting is low enough, the sight will automatically switch to the battery. While running on battery, you can adjust the reticle brightness using the "+" and "-" buttons to switch between high and low brightness levels.

- Manual mode:**
 - Press down the "+" button for 3 seconds to enter into the Manual Mode.
 - Brightness adjustment: There are 12 settings for reticle brightness level under manual mode. The default brightness is at 7 when the device is switched to this mode. The brightness can be adjusted as required by pressing the "+" or "-" to increase or decrease the brightness level, one press for one change in brightness level.
 - Switching back to auto mode:** A single press of the "+" button for 3 seconds will switch the sight to auto mode.
- Sleep time mode:**
 - Please note that your red dot will automatically enter into sleep mode after 10 minutes of no movement.
 - The sight will instantaneously wake up and turn on with any motion detection to last saved setting.
- Special operation:**
 - Solar cell power drive: If the battery voltage is below 2.2Vdc, please take it out. The sight can still work under a certain lighting environment.

7

Fig5



- Adjust the Elevation turret counterclockwise to move the point of impact UP. Adjust the Windage turret counter-clockwise to move the point of impact to the RIGHT. Turning either turret clockwise moves the point of impact in the opposite direction.
- Caution:** Don't try to over rotate the knobs. If you feel the knobs can-not be rotated, this indicates you have reached the adjustment limit, otherwise the device may be damaged. If the required adjusting range is beyond the limits, consider adding an extra spacer between the device and mounting rail to allow for additional adjustment.

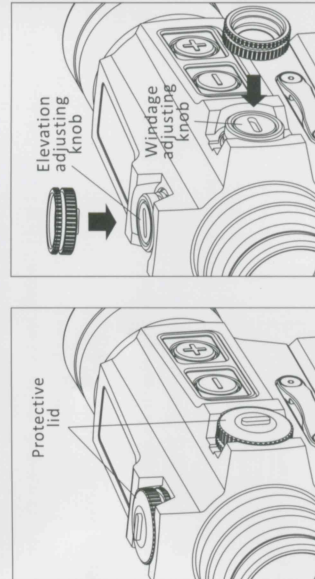


Fig 6

9

Zero setting

- On top of sight is the elevation adjusting turret, windage adjusting turret is on the right side (see Fig6). The sight has been factory adjusted for approximate zero.
- The built in screw driver tool on the protective cap can be used for zeroing adjustment (see Fig6). See label inside cap.
- First open the protective cap, position slot type screwdriver on the slotted screw, then rotate the screw to right or left for adjustment. Each left or right click is for one adjustment equivalent to 0.5MOA value.

8

At our sole discretion, we will repair or replace product found to be defective under normal use and service without charge excluding any delivery costs, which will be born by purchaser. We will not be liable for incidental, consequential, or special damages arising out of or in any connection with the use or performance of this product. This warranty is void if the product has been misused, modified, neglected, or disassembled prior to its return. Please refer to <http://www.holosun.com> for current and complete warranty information.

PARALOW HS502C-U Circle Dot sight



HOLOSUN
Holosun Technologies Inc.
www.holosun.com

Customer Service

Phone: 909-594-2888
Email: warranty@holosun.com

Maintenance and care

This device is a precision instrument that deserves reasonably cautious care. The following tips are provided to ensure long lasting use of the sight. The optical system including the objective window and eyepiece lens which are multi-coated optical glass. When cleaning the lenses, blow away the dust on surface, wet the lens with lens cleaner or clean water, wiping the fingerprint and oil stain with lens tissue, soft cotton or microfiber cloth. No special maintenance needed for housing surface.

Avoid touching the glass surface with dry cloth or tissue paper. No organic solvents such as alcohol, acetone are allowed. Don't try to dismantle the device as the internal parts are specially cleaned and sealed and with anti-fog treatment, Any such attempt will void the warranty.

If repair needed, you can call our customer service center, or login in our website, or send email to us.

Limited warranty

SUMMARY

We provide limited lifetime warranty from the date of purchase on parts and workmanship to the original purchaser.

10

11