

User's Manual: Rifle scope

Your new rifle scope is a high quality product of precision which will provide you with many years of reliable service if mounted carefully by a qualified gunsmith in accordance of the following instruction of use.

Safety instruction:

Never look directly into the sun or laser light sources with the rifle scope; you may could damage your eyes!

Never tamper with the rifle scope yourself. Services and repairs should be effected exclusively by Karl Kaps or authorised work shops. Protect your rifle scope from shocks that extend beyond normal use.

Cleaning and maintenance

The rifle scope does not require any special maintenance. The surface of the metal parts has a hard anodised coating which is for care and extremely scratchproof, you can use a clean cloth for cleaning. You should first remove any coarse dust particles from the surfaces before wiping them clean.

Focussing / Parallax-Setting

Turn the magnification ring to the maximum power. Turn the eyepiece to the left as far as possible. Then turn it to the right until the best focus for you has been achieved. All rifle scopes are pre adjusted at the factory to be parallax free at 100 meters if no other distance was specified in the order.

Reticle

Your rifle scope is equipped with a reticle of your choice. All rifle scopes can of course, also fitted subsequently with other reticles. An illuminated reticle can be retrofitted to the 2,5-10x56 MRC/OC and 2,5-10x50 MRC/OC types. To change the reticle the rifle scope must send back into the company.

Magnification change

Depending on the rifle scope model, you can continuously adjust all powers between the lowest and highest magnification. Change the magnification by turning the changer on the ocular tube. Turn counter clockwise to obtain the maximum magnification, and clockwise to obtain the minimum magnification.

Reticule adjustment at KAPS rifle scopes (fig.1 and fig.2)

Condition when received

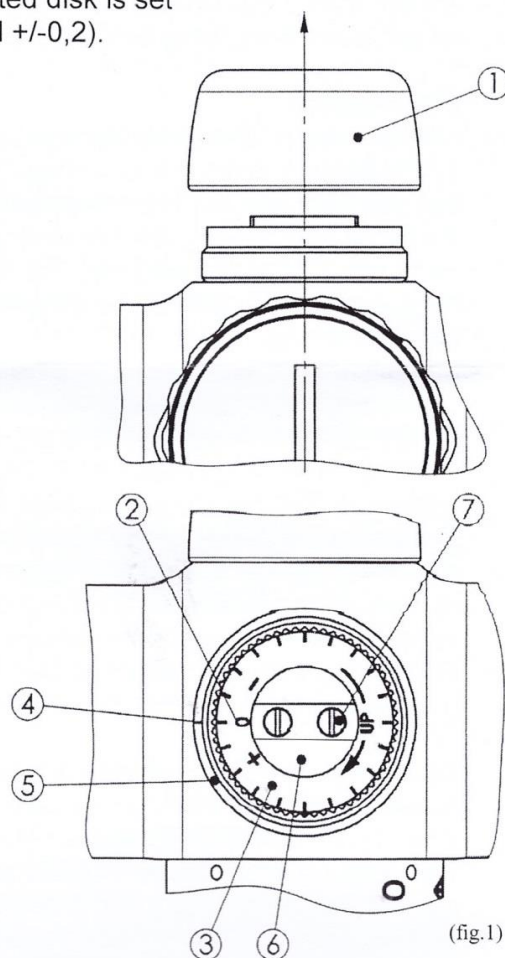
When the rifle scope is delivered, the reticule is adjusted to the middle. After having removed the caps (1) of reticule adjustments, you will recognize the zero-setting (2) of the graduated disks (3), standing in front of index (4) of the outer ring (5); the graduated disk is set at the same height as the fringe of the outer ring (tol $\pm 0,2$).

Range

Height and side adjustment serve for correcting the hit, i.e. if the hit rate is low and left, the height adjustment is turned „UP“, the side adjustment „R“ (right).

The clicks of the catching are counted, they permit a quick correction of the hit rate. 1 click in 100m distance (= free of parallax setting) corresponds to a distance of adjustment of 5-8 mm, depending on the focal length of the rifle scopes. The distance of adjustment per click is assigned to the respective rifle scope in the brochure. If after agreement with the customer the rifle scope was set to other free of parallax target distances, the click distances must be correspondingly converted (at the distance of 150 m for instance it is multiplied with the index 1.5, at 200 m with index 2, etc.).

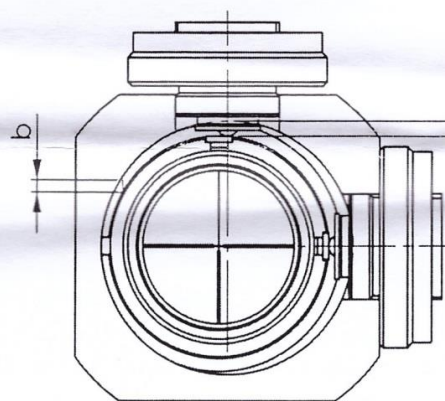
After range-setting has been effected, the graduated disk (3) is set to „zero“ again. Before you do this, loosen the locking ring (6) 2 screws (7) and don't alter the notch position (turn zero in front of the index). then retighten the locking disk. Subsequently screw on the caps again.



(fig.1)

Range of reticule adjustment

Starting from the centre reticule position, for instance the side adjustment is set approx. ± 2 revolutions (60 clicks/ rotation). Height adjustment can only be adjusted in equal amounts after having reset before the side adjusted reticule to the middle, i.e. due to the tolerances required for the assembly of rifle scopes during production, side adjustment is more or less necessary, to set the consistency of the axes of the rifle scope and the weapon. This reduces height adjustability (and vice versa), something easily understandable looking at fig.2.



(fig.2)

a: range of adjustment center reticule
b: range of adjustment out of center reticule (smaller)

CAUTION

Do not under any circumstances point the rifle scope toward the sun or laser light sources! Before using your rifle scope, make sure it is functioning properly. Look through the rifle scope to check that it provides an unobstructed image. Check the correct windage and elevation adjustment by firing a number of test shots.